

# **Haladjian**

**MINERAL SOLUTIONS inc.**

*Aggregates & Mining*

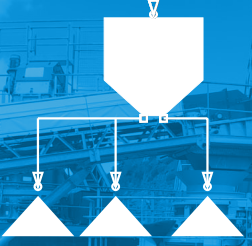


Scan me!

Phone: 201-244-7100 - [www.haladjian.com](http://www.haladjian.com)

# Deliver the best value for Quarries and Mining operations

Drive down cost and improve the performance - Reduce environmental impact



**Process**

Engineering and optimization  
Smart and taylor made solutions.



**Mechanical Expertise**

Expertise for best value repairs, rebuilt and upgrades



**Services**

Broadened portfolio  
Multi brand mechanical and wear parts catalog

## Understanding Customers Needs, application, and budget...

Our approach is based on ENGINEERING and PROCESS OPTIMIZATION.

Our Process expertise Know-how and Know who, allow us to provide global smart and taylor made solutions. Front to back solutions with Competent and Specific Partners



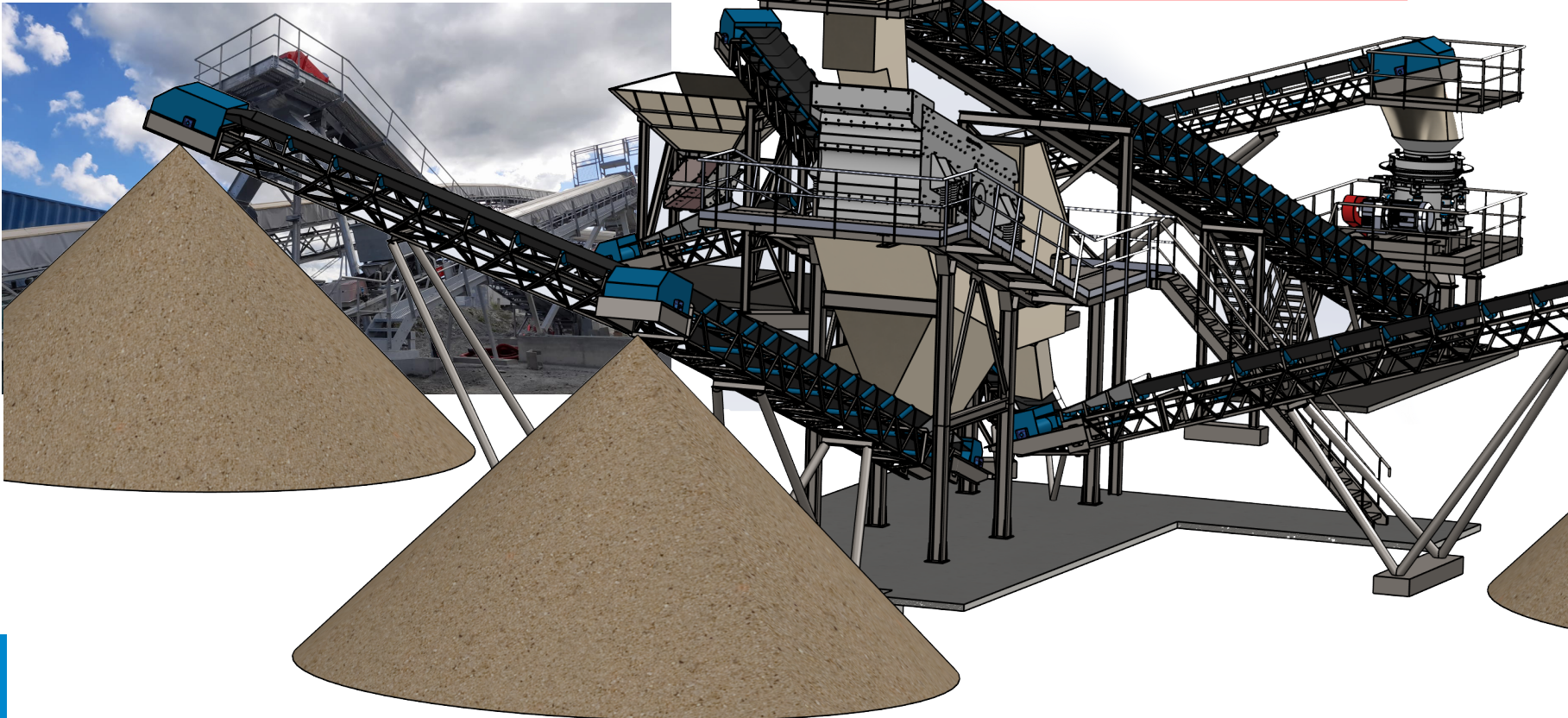
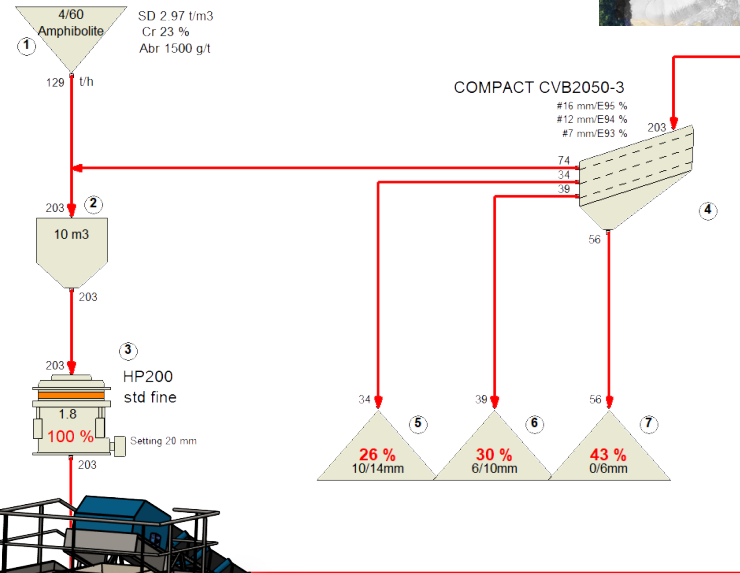
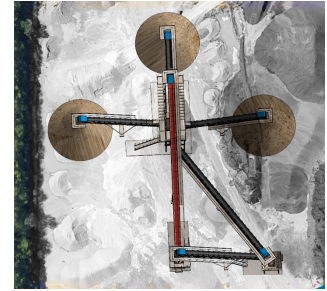
Offering innovative and alternative solutions with new technologies, we are committed to reducing the cost per ton and reducing the environmental impact of our customers' production operations

# Engineering & process

Complete intelligent solutions for Quarrying & Mining  
ENGINEERING ( Basics and detailed ) SIMULATIONS  
OPERATIONAL COSTS

## > Newplant - revamping

ENGINEERING CALCULATIONS  
INSTALLATION - COMMISSIONING  
AUTOMATION  
APC (Advanced Process Control)



# EXchange program

More than 30 rebuilt machines per year :

- Metso® HP100, HP200, HP300, HP400, C110, C140...
- Sandvik® CH440, CH660, CJ412, CJ612...

## > Quality process certified

Rich knowledge database Talented, competent and motivated team.  
Recognized and Knowledgeable Partners in specific areas

Test/quality report



Following the original testing process, the component is tested



*Action to keep sustainable operations*

Increase machine life cycle and reuse reliable parts

**06** Inspection  
Commissioning

**01**  
Inspection plan



Inspection with technician on the job site

**05**  
Assembling  
& Test

**02**  
Disassembly  
& inspection  
parts



Report sheet

Repair or rebuild  
Kits & new parts

**03**  
Report control  
& recommendation

**04**



# Quality Control

## > Quality Control

We carry out the inspection and control of our parts in order to ensure their conformity.

Metrology: Our measuring tools are calibrated every week.



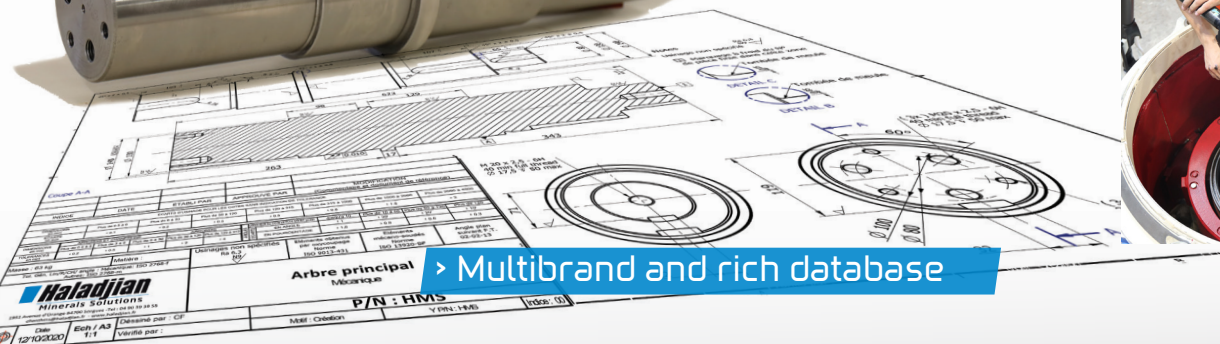
< Video



## New part



## Assembly control



> Multibrand and rich database

## Inspection of used parts



Traceability - Follow Up

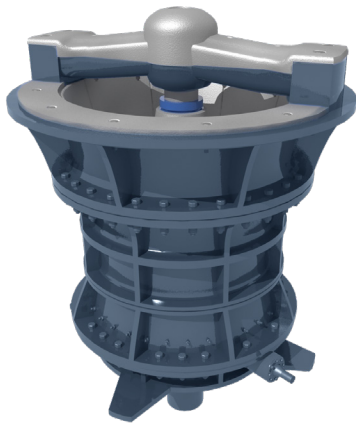


# Multi brand catalog

Metso® , Sandvik® , Powerscreen® , Keestrack® , Kleemann® ,  
Terex®\* , ...

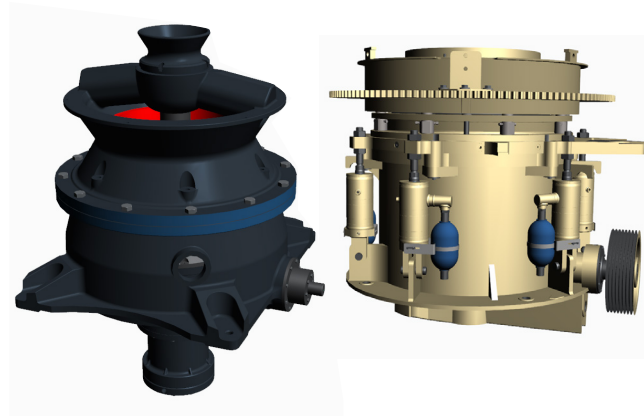
Crushers : Primary gyratory, Cone, Jaw, Impact. Screens, conveyors, feeders...

## Gyratory



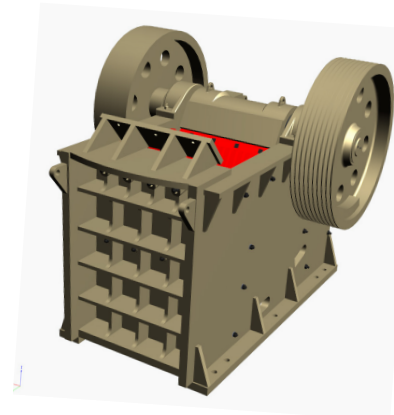
Metso® - Sandvik® - Babbittless® - ...

## Cone



Metso® - Sandvik® - Terex® - ...

## Jaws



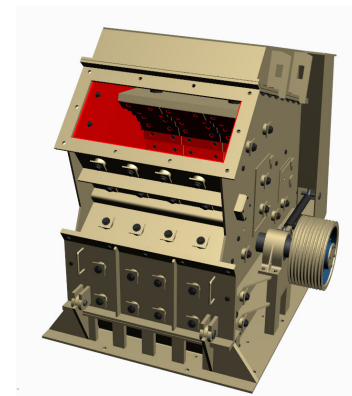
Metso® - Sandvik® - Terex® - ...

## Mobile



Metso® - Sandvik® - Terex® - Powerscreen® - Keestrack® - Kleemann® - ...

## Impact



Metso® - Sandvik® - ...

> Explore our spare parts catalog

<https://www.haladjian.com>

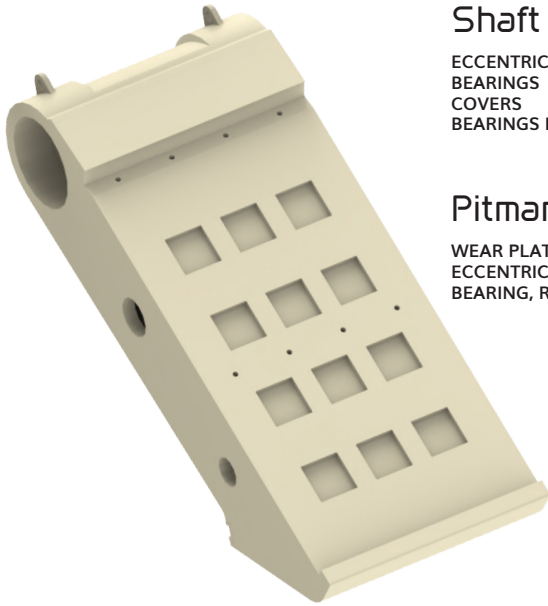


Our parts catalog

\* Metso®, Sandvik®, Powerscreen®, Keestrack®, Kleemann®, Babbittless®, Terex® are registered trademarks

# Jaw crusher

C Series CJ Series



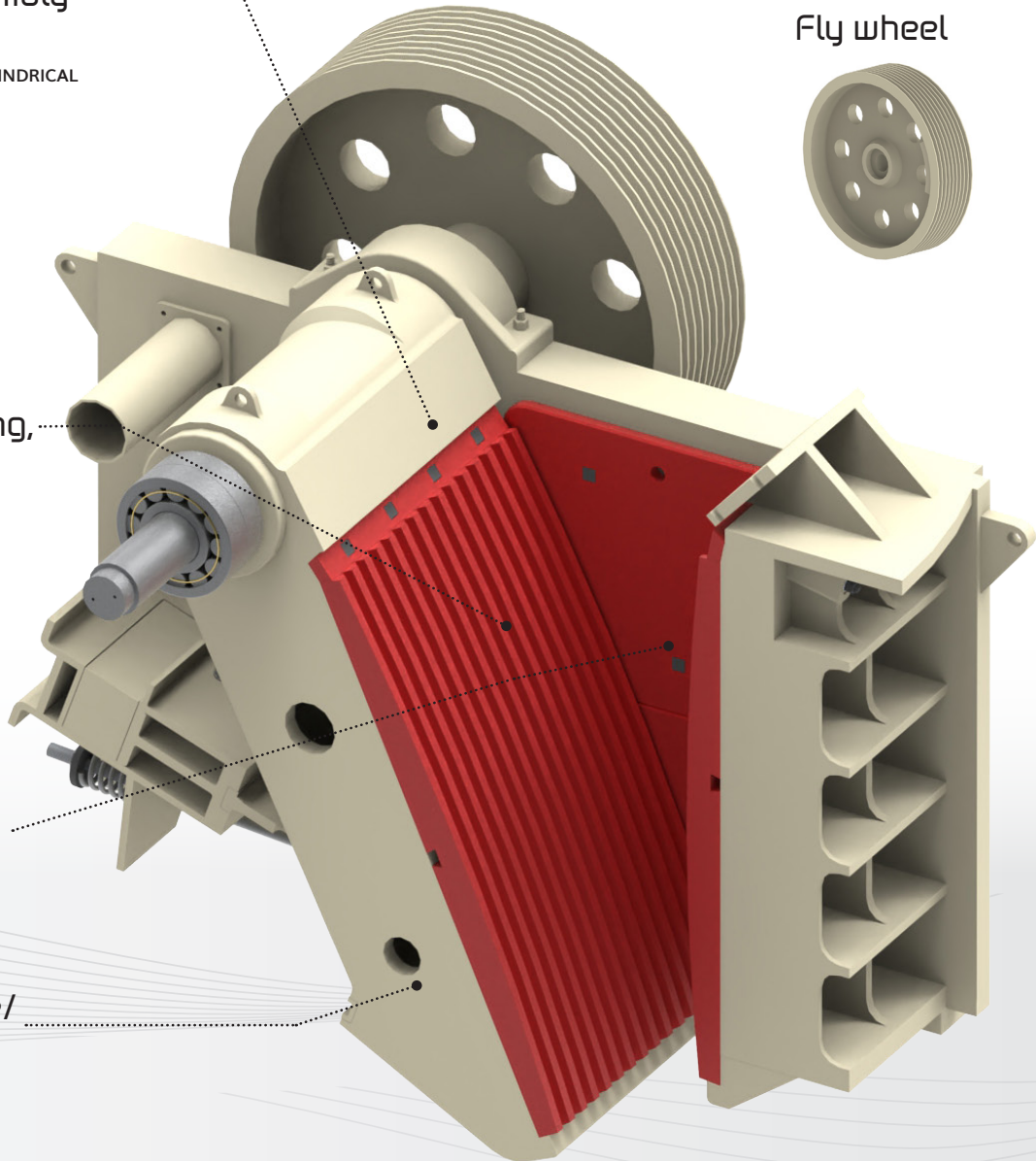
## Shaft assembly

ECCENTRIC SHAFT  
BEARINGS  
COVERS  
BEARINGS HOUSING

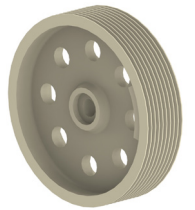


## Pitman assembly

WEAR PLATE  
ECCENTRIC SHAFT  
BEARING, ROLLER, CYLINDRICAL

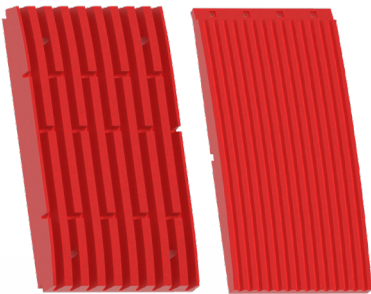


## Fly wheel



## Jaw mounting, Jaw

WEDGE, UPPER  
BAR  
FILL WEDGE  
HAMMER SCREW  
FASTENING ITEM

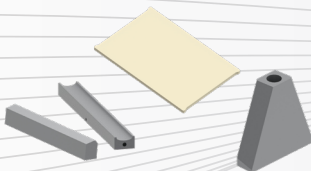


## Cheek plate installation



## Toggle plate/ toggle seat

WEDGE ADJUSTMENT



# Impact crusher

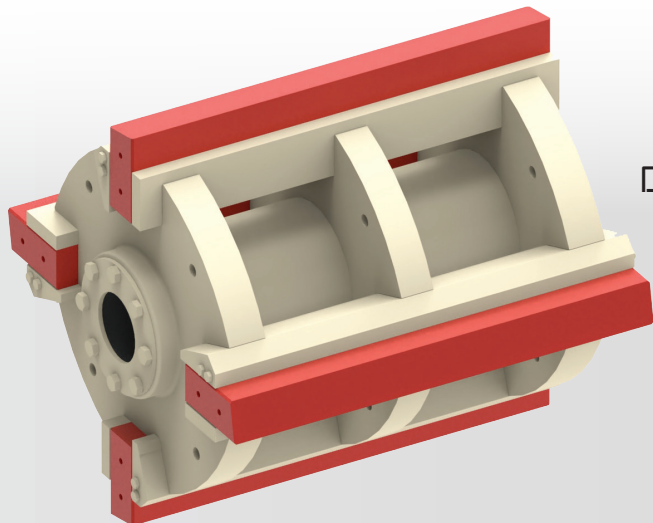
NP Series / HSI

## Shaft

PULLEY  
V-BELT  
BEARING HOUSING  
COVER  
ROLLER BEARING  
WITHDRAWAL SLEEVE



## MAIN FRAME LINER

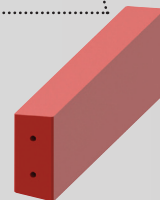
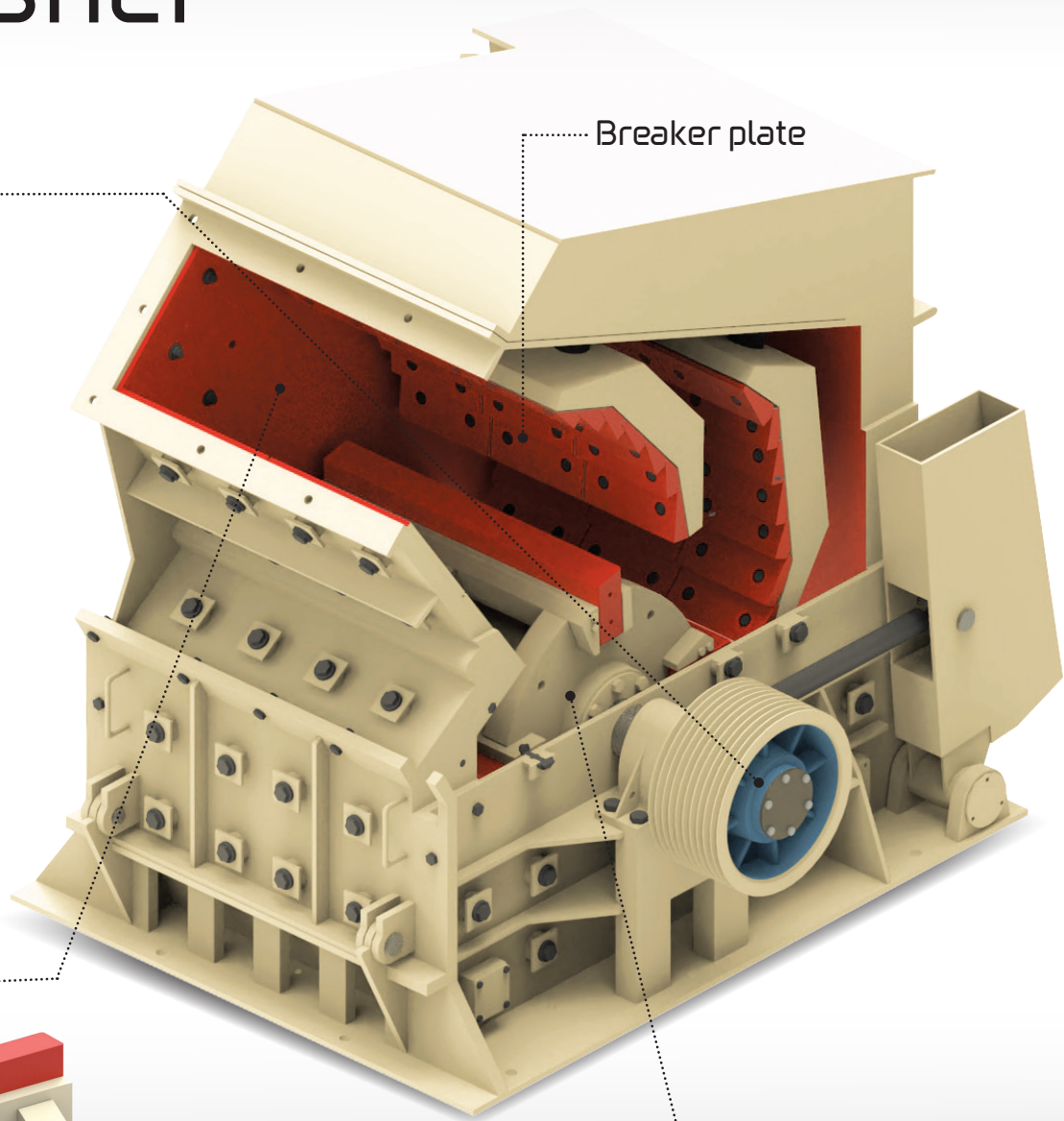


## DYNAMIC BALANCING

## ROTOR ASSEMBLY

BLOW BARS  
SHAFT  
NUT  
ROTOR  
SHIM  
SLEEVE

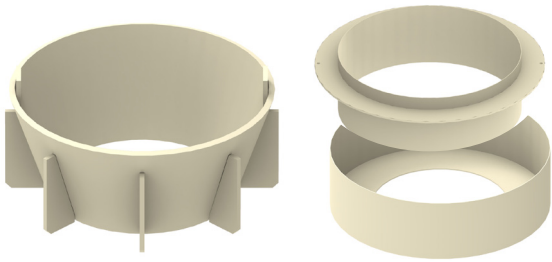
## Breaker plate





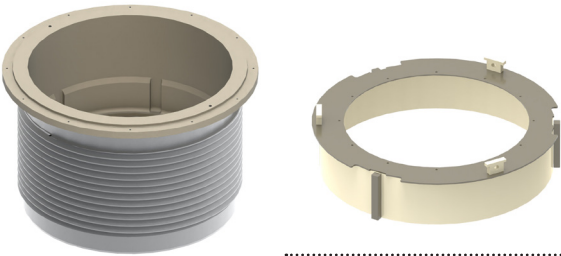
# Cone crusher

## HP Series



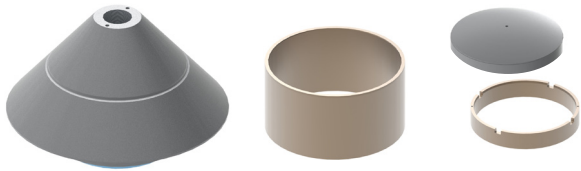
### Hopper assembly

UPPER FEED HOPPER,  
LOWER FEED HOPPER,  
CONICAL HOPPER



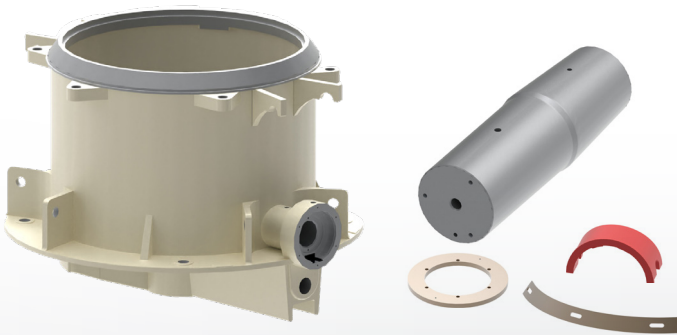
### Bowl assembly

BOWL,  
ADJUSTMENT CAP



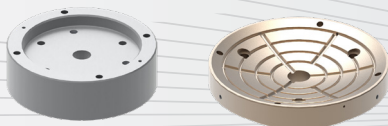
### Head assembly

HEAD-CONE SUPPORT  
UPPER HEAD BUSHING,  
LOWER HEAD BUSHING,  
SHAFT KEY,  
HEAD BOWL  
T-SEAL  
RING ....



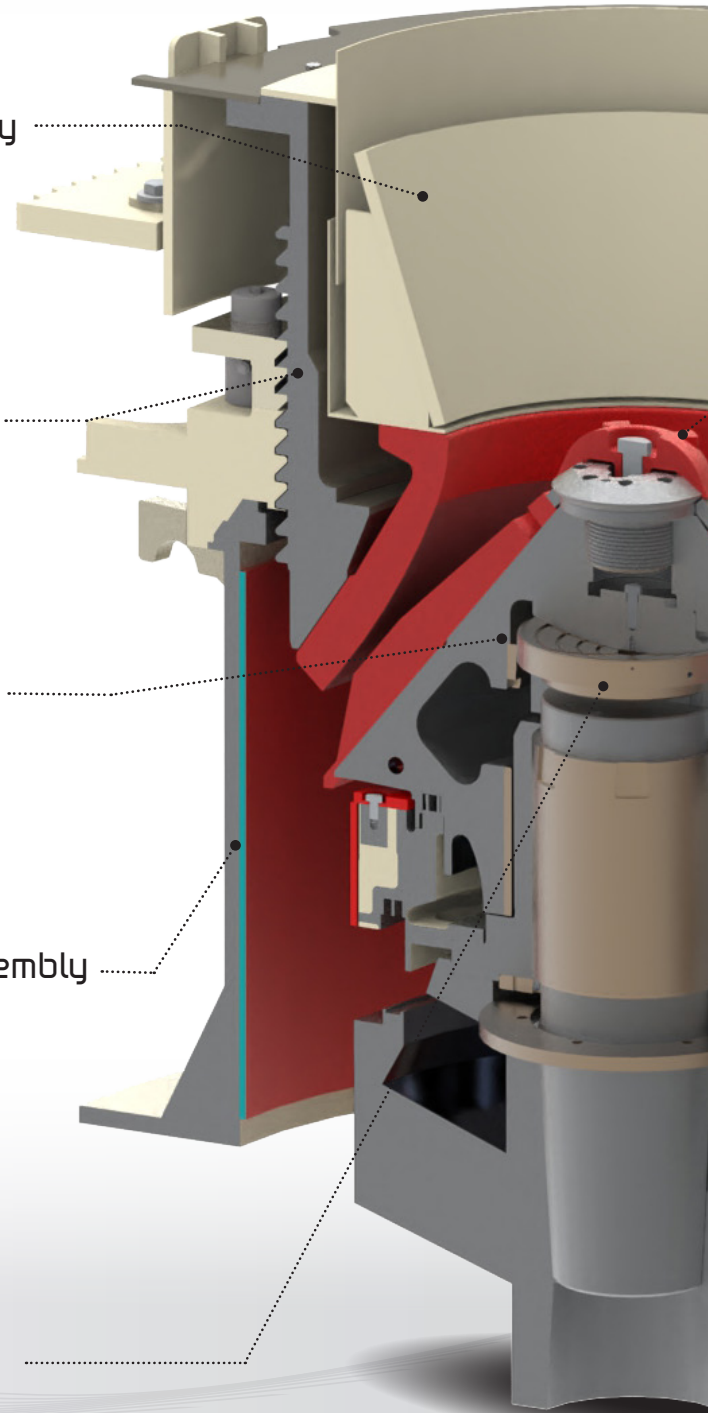
### Main Frame assembly

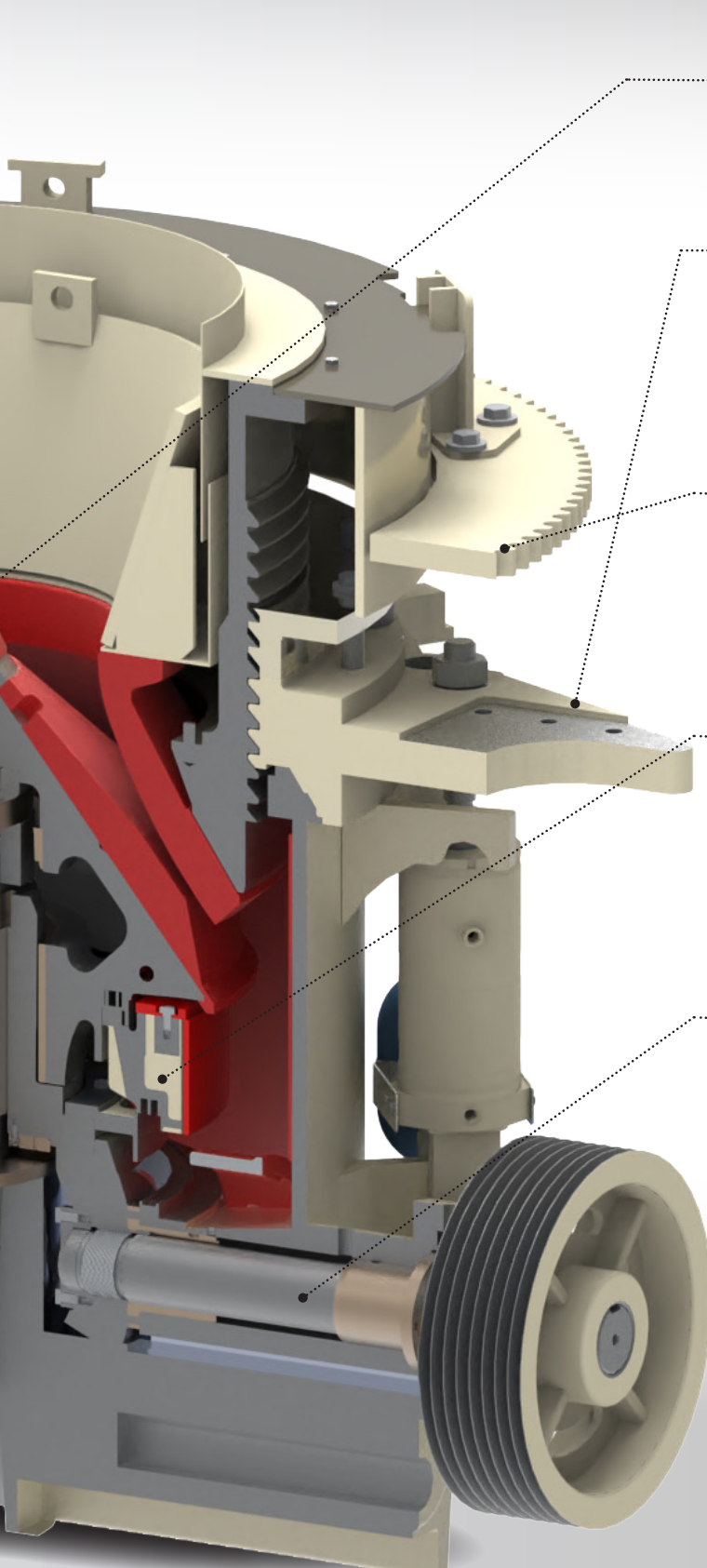
MAIN FRAME,  
ARM GUARD,  
MAIN SHAFT,  
LOWER THRUST BEARING,  
U SEAL, BUSHING,  
SHIM  
FRAME SEAT LINER,  
PROTECTION PLATE  
FRAME RING, ....



### Socket assembly

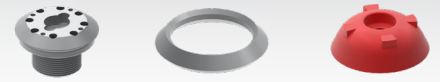
SOCKET  
SOCKET LINER





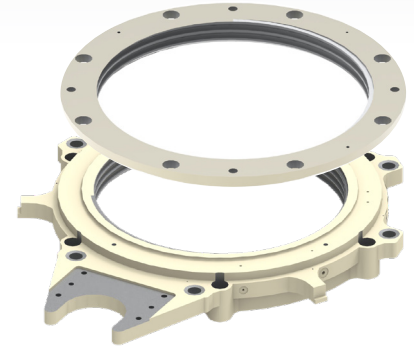
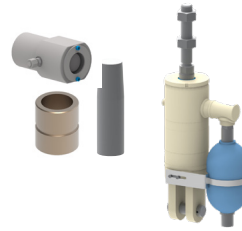
### Feed cone assembly

FEED CONE  
HEAD LOCKING BOLT  
TORCH RING



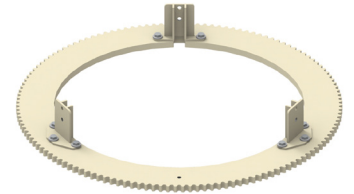
### Adjustment ring assembly

ADJUSTMENT RING  
CLAMPING RING  
CLAMPING CYLINDER  
RELEASE CYLINDER  
BUSHING  
HYDRAULIC KIT  
ACCUMULATOR



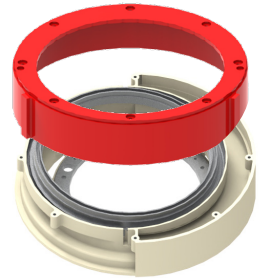
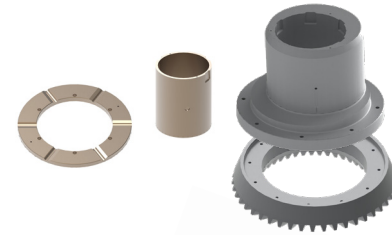
### Adjustment Mecanism

DRIVE GEAR  
HYDRAULIC MOTOR  
PINION  
HYDRAULIC COMPONENT



### Eccentric and counterweight assembly

ECCENTRIC  
INNER ECCENTRIC BUSHING  
UPPER THRUST BEARING  
DRIVER GEAR  
COUNTERWEIGHT  
COUNTERWEIGHT LINER

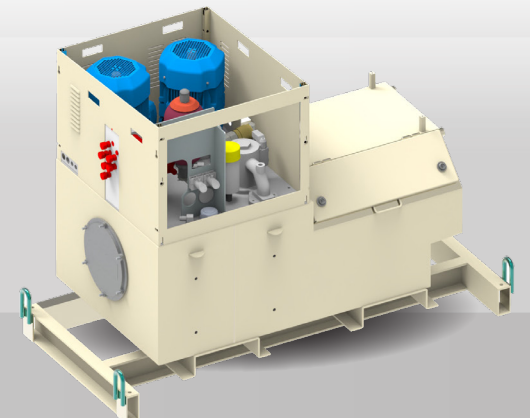


### Countershaft assembly

COUNTERSHAFT  
PINION  
OIL FLINGER  
SEAL  
COVER  
COUNTERSHAFT BOX  
O RING  
COUNTERSHAFT GUARD  
COUNTERSHAFT BUSHING  
PULLEY

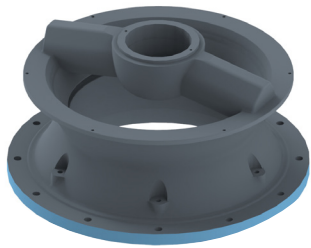


### Lubrication & hydraulic unit



# Cone crusher

Ch / CS Series



## Topshell assembly

SPIDER CAP  
ARM SHIELD  
TOPSHELL  
SPIDER BUSHING  
OIL SEAL  
CONCAVE SUPPORT RING  
CONCAVE RETAINING BOLT & WASHERS  
JACKING BOLT



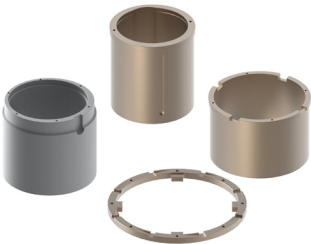
## Mainshaft assembly

MAINSHAFT  
MAINSHAFT SLEEVE  
INNER HEAD NUT  
HEAD NUT WITH BURNING RING  
CONCAVE RING  
HEAD CENTER  
DUST SEAL RING  
DUST SEAL RETAINER



## Eccentric assembly

RETAINER  
HUB  
ECCENTRIC WEAR PLATE  
GEAR  
LOCATING BAR  
ECCENTRIC BUSHING  
ECCENTRIC KEY  
ECCENTRIC



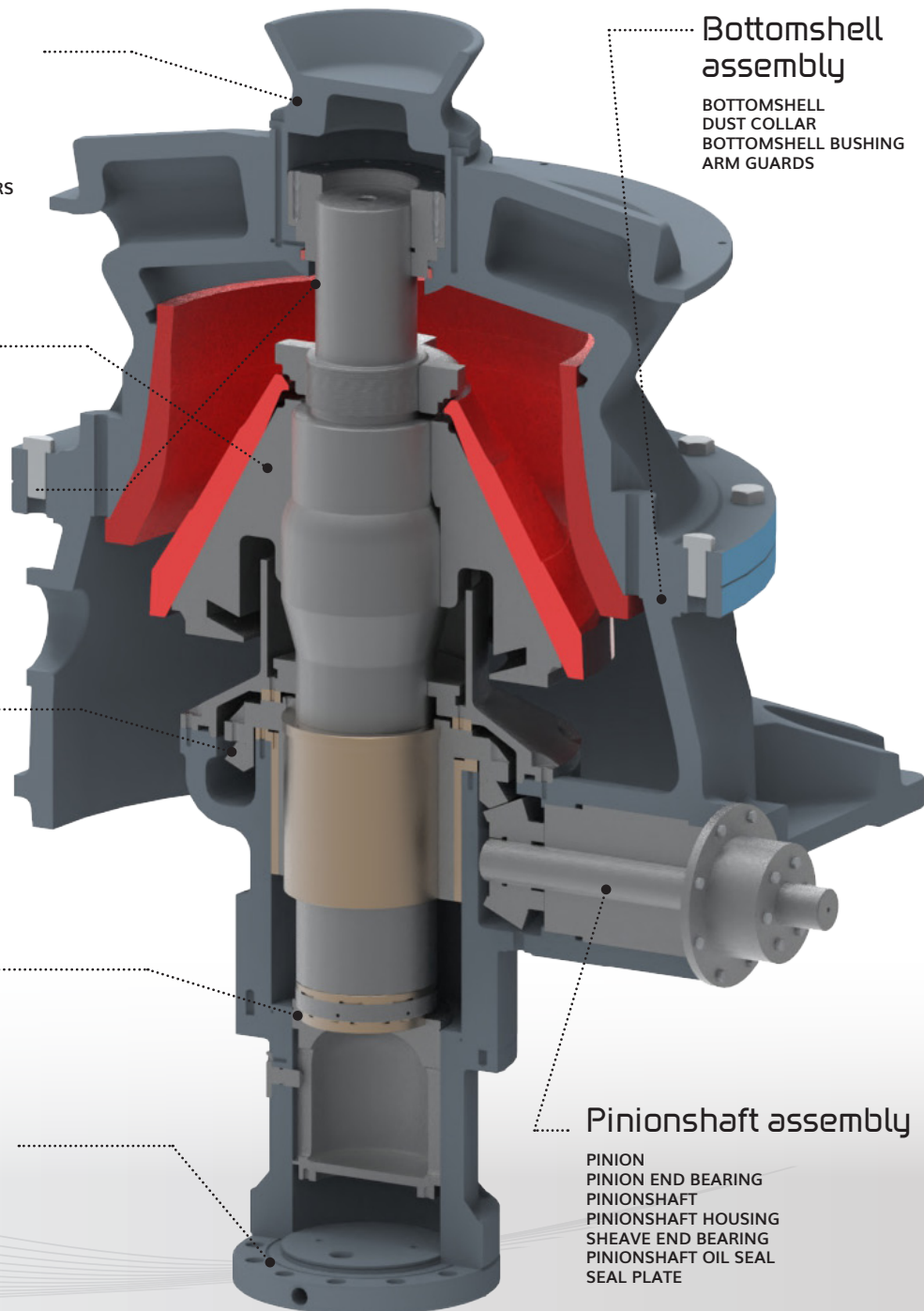
## Step plate assembly

MAINSHAFT STEP PLATE  
STEP WASHER  
PISTON WEARING PLATE



## Hydroset™ assembly

PISTON  
HYDROSET™ CYLINDER BUSHING  
CHEVRON PACKING  
HYDROSET™ CYLINDER  
PACKING CLAMP PLATE  
HYDROSET™ CYLINDER COVER



## Bottomshell assembly

BOTTOMSHELL  
DUST COLLAR  
BOTTOMSHELL BUSHING  
ARM GUARDS

## Pinionshaft assembly

PINION  
PINION END BEARING  
PINIONSHAFT  
PINIONSHAFT HOUSING  
SHEAVE END BEARING  
PINIONSHAFT OIL SEAL  
SEAL PLATE

# Wear Parts

## Cone

- High standards manufacturing and machining of bearing areas respect the original technical features
- OEM grain size output quality and instantaneous flow rate
- Positive economic record on numerous field tests



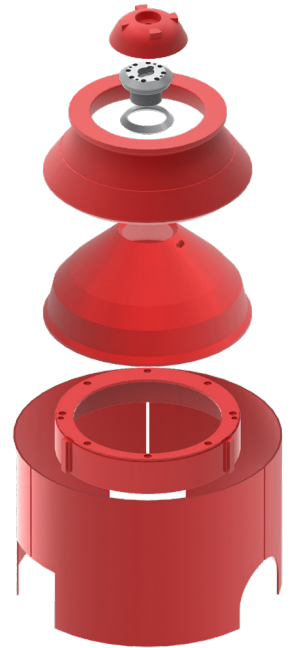
Red line

Blue steel line

## Standard & full wear part kits

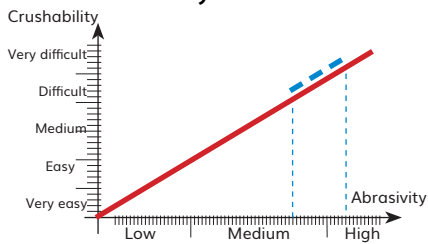
### Components of kit :

- Standard kit with
- Feed cone
- Main frame liner
- Counterweight liner assembly
- Arm guard
- Countershaft guard

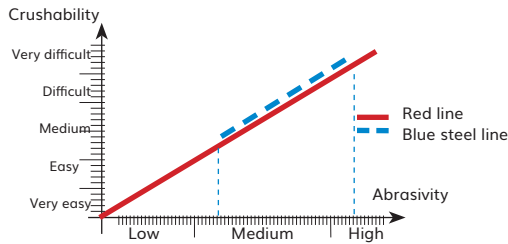


## Choice help table

### Dry materials

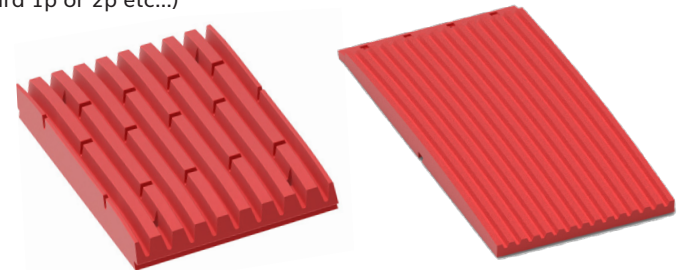


### Wet materials



## Jaws

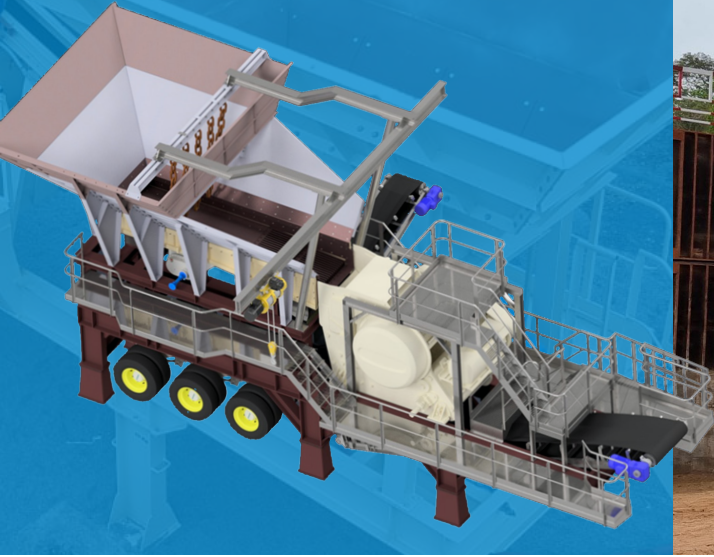
Available for all type of applications (Quarry 1p or 2p - Standard 1p or 2p etc...)



# Project Tailor made machine

Customer specifications / 3D design / multi brand integration

C140 Station



Video >>



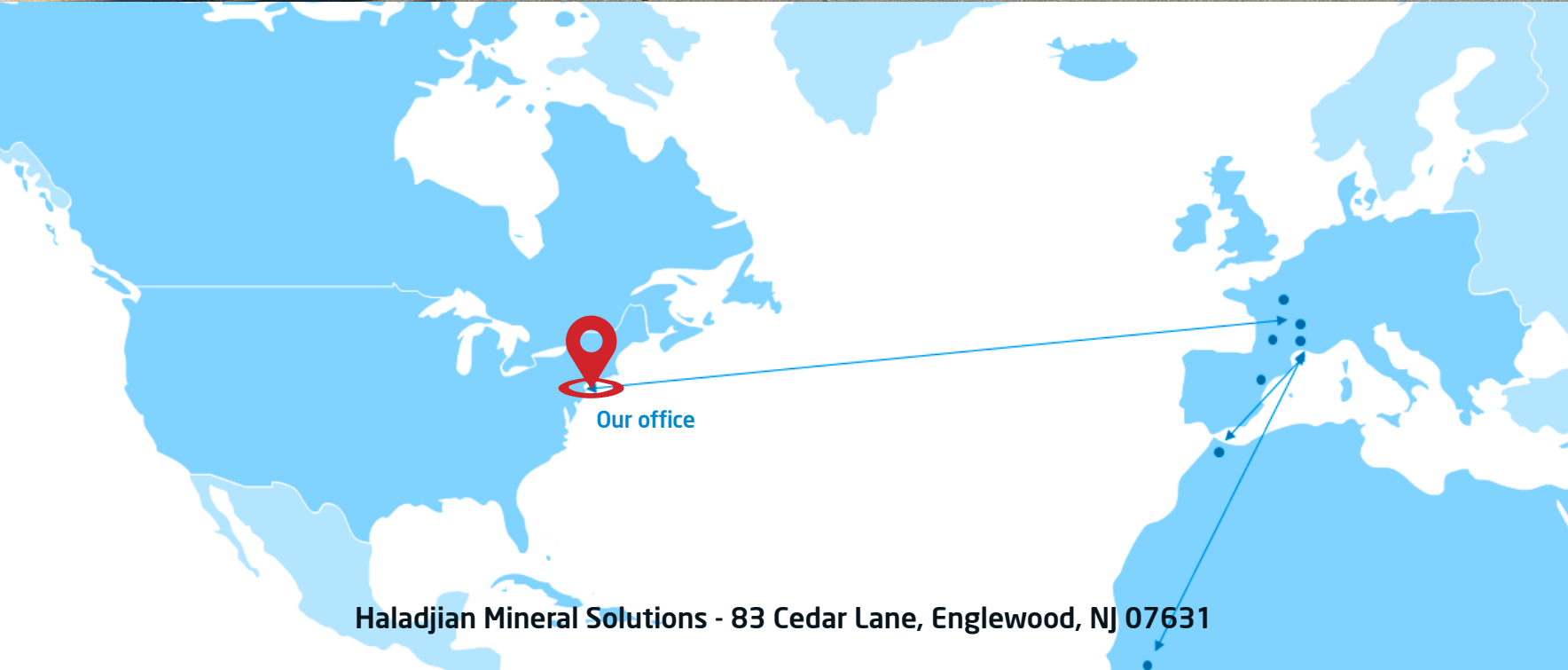
Logwasher Station



Video >>



# Warehouse



Haladjian Mineral Solutions - 83 Cedar Lane, Englewood, NJ 07631